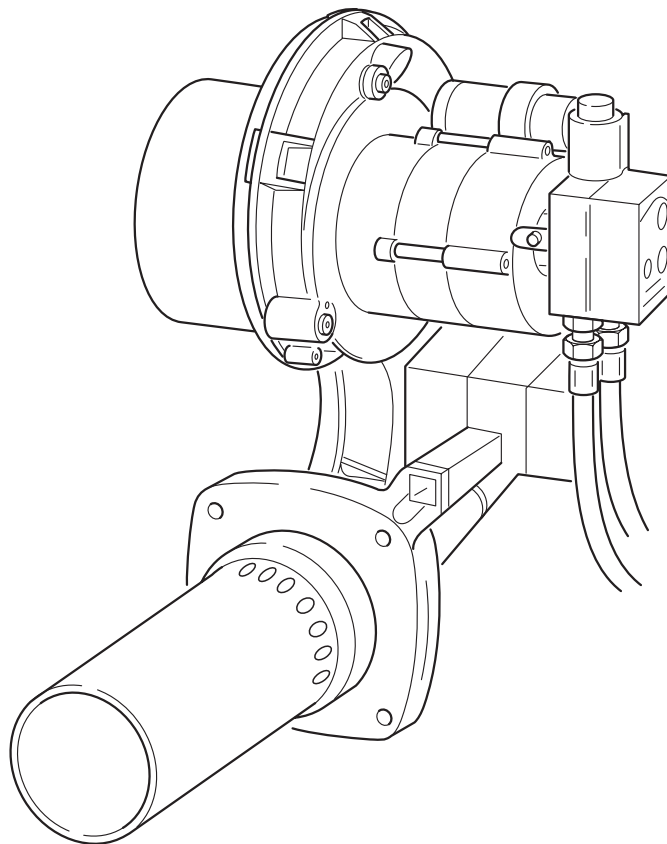


Tehnični podatki

**Dodatek k navodilom za zagon in vzdrževanje
Oljni gorilniki Logatop BE 1.1 in Logatop BE 2.1**



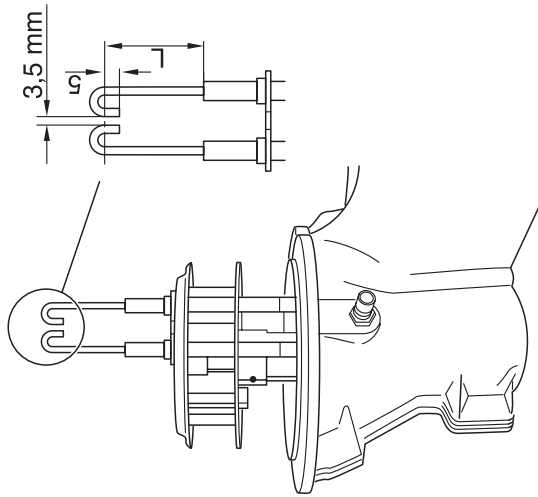
Shranite prosim

Tehnični podatki za gorilnike Logatop BE 1.1 in Logatop BE 2.1

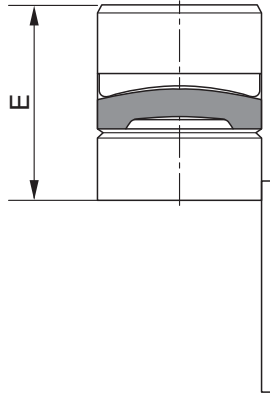
Kotel	Nazivna moč	Tip gorilnika	Mešalna naprava	Tip šobe	Pretok olja	Tlak olja	Vodilo sesalnega zraka (ALF) prednast.	Stat. tlak ventilatorja ±1,0	Tlak v kurišču -0,05	Potr. poljsni tlak (Viek)	Vsebnost CO ₂ brez pokrova gorilnika	Vsebnost CO ₂ s pokrovom gorilnika	Vsebnost CO	Vžigalna elektroda mera „L“	Mera „X“	Plamenska cev
	kW				kg/h	bar		mbar	mbar	Pa	%	%	pp	mm	mm	mm
Logano G115	17	BE1.1 – 17	1.0 – 17	Fluidics 0,40 gph 8 0°HF	1,55	11,5 – 14,5	4,2	8,6	0	4	13,0 – 13,5	13,5 – 14,0	< 50	34,0	1,5	sl.3
	21	BE1.1 – 21	1.0 – 21	Fluidics 0,45 gph 8 0°HF	1,90	13,0 – 17,0	3,1	9,7	0	8	13,0 – 13,5	13,5 – 14,0	< 50	34,0	2,0	sl.3
	28	BE1.1 – 28	1.0 – 28/2	Fluidics 0,55 gph 6 0°HF	2,50	15,0 – 19,0	2,2	9,7	0	10	13,0 – 13,5	13,5 – 14,0	< 50	34,0	2,0	sl.3
	34	BE2.1 – 34	2.0 – 34	Fluidics 0,65 gph 8 0°HF	3,05	15,0 – 19,0	3,6	9,7	0	9	13,0 – 13,5	13,5 – 14,0	< 50	34,0	2,0	sl.2
Logano G215	45	BE2.1 – 45G	2.0 – 45	Steinen 0,85 gph 6 0°H	4,05	18,5 – 23,5	3,0	9,8	0,35	0	13,0 – 13,5	13,5 – 14,0	< 50	50,0	3,5	sl.2
	55	BE2.1 – 55G	2.1 – 55	Steinen 1,10 gph 6 0°H	5,00	18,0 – 24,0	2,0	11,0	0,24	0	13,0 – 13,5	13,5 – 14,0	< 50	50,0	6,5	sl.3
	68	BE2.1 – 6	2.1 – 68	Monarch 1,35 gph 8 0°NS	6,15	15,0 – 21,0* 17,0 – 24,0	1,5	10,5	0,39	0	12,0 – 12,4* 12,5 – 13,0	13,0 – 13,5	< 50	58,5	6,5	sl.4
Logano S115	17	BE1.1 – 17	1.0 – 17	Fluidics 0,40 gph 8 0°HF	1,55	11,5 – 14,5	4,2	8,6	0	4	13,0 – 13,5	13,5 – 14,0	< 50	34,0	1,5	sl.3
	21	BE1.1 – 21	1.0 – 21	Fluidics 0,45 gph 8 0°HF	1,90	13,0 – 17,0	3,1	9,7	0	7	13,0 – 13,5	13,5 – 14,0	< 50	34,0	2,0	sl.3
	28	BE1.1 – 28	1.0 – 28/2	Fluidics 0,55 gph 6 0°HF	2,50	15,0 – 19,0	2,2	9,7	0	10	13,0 – 13,5	13,5 – 14,0	< 50	34,0	2,0	sl.3
	34	BE2.1 – 34	2.0 – 34	Fluidics 0,65 gph 8 0°HF	3,05	15,0 – 19,0	3,6	9,7	0	9	13,0 – 13,5	13,5 – 14,0	< 50	34,0	2,0	sl.2
Logano S325	34	BE2.1 – 34	2.0 – 34	Fluidics 0,65 gph 8 0°HF	3,05	15,0 – 19,0	3,6	9,7	0	7	13,0 – 13,5	13,5 – 14,0	< 50	34,0	2,0	sl.2
	43	BE2.1 – 43S	2.0 – 45	Steinen 0,85 gph 6 0°H	3,98	17,5 – 22,5	3,0	9,8	0	5	13,0 – 13,5	13,5 – 14,0	< 50	50,0	3,5	sl.3
	54	BE2.1 – 55S	2.1 – 55	Steinen 1,10 gph 6 0°H	5,00	18,0 – 24,0	2,0	11,0	0	19	13,0 – 13,5	13,5 – 14,0	< 50	50,0	6,5	sl.3
	66	BE2.1 – 68	2.1 – 68	Monarch 1,35 gph 8 0°NS	6,15	15,0 – 21,0* 17,0 – 24,0	1,5	10,5	0	10	12,0 – 12,4* 12,5 – 13,0	13,0 – 13,5	< 50	58,5	6,5	sl.4

* vrednost za zagonsko stopnjo

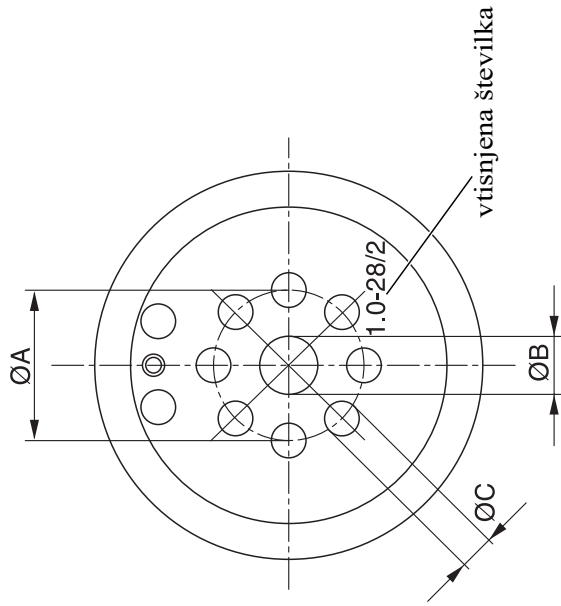
Vžigalna elektroda (tip 3)



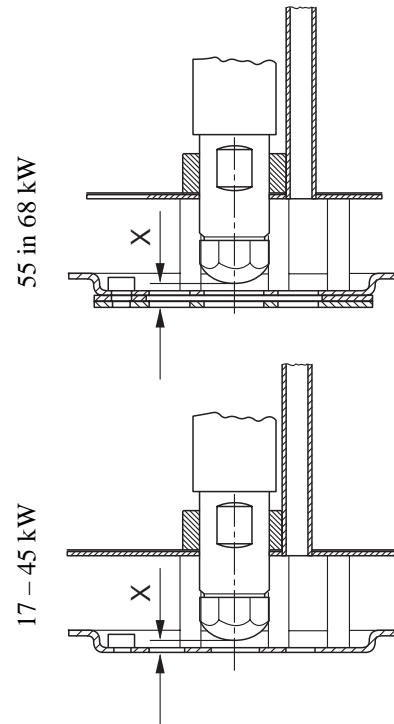
Plamenski lonček



Mešalna naprava



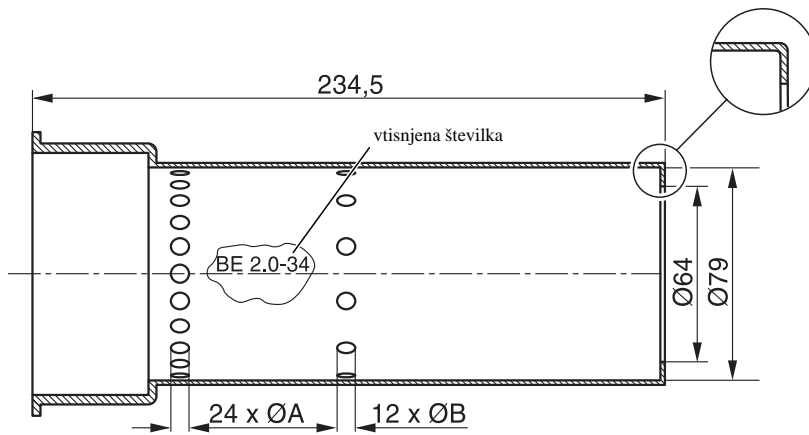
Mešalna naprava mera „X“



Kotel	Nazivna moč [kW]	Plamenski lonček mera „E“ [mm]
Logano S115	17	300
	21	325
	28	400
	34	380
Logano S325	34	380
	43	550
	54	600
	66	650

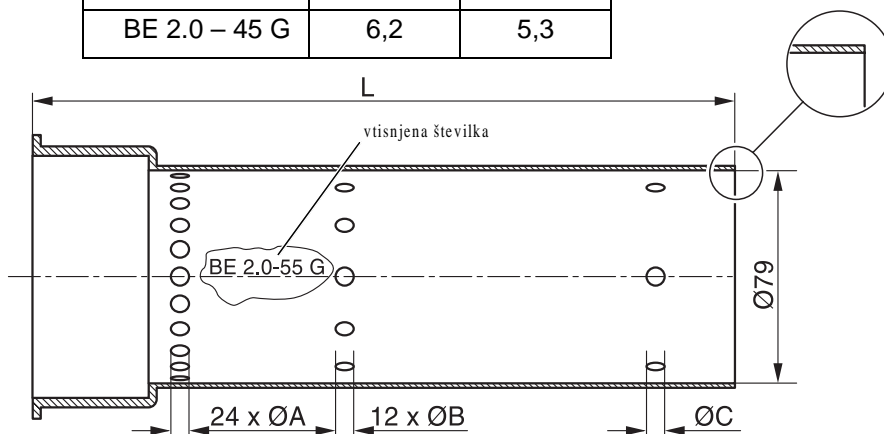
Mešalna naprava	A [mm]	B [mm]	C [mm]
1.0 - 17	27,5	11,9	5,6
1.0 - 21	30,0	12,1	6,0
1.0 - 28/2	32,5	12,5	7,1
2.0 - 34	32,5	12,8	8,0
2.0 - 45	35,0	13,9	9,0
2.1 - 55	35,0	15,0	9,5
2.1 - 68	35,0	16,3	11,1

Sl. 2



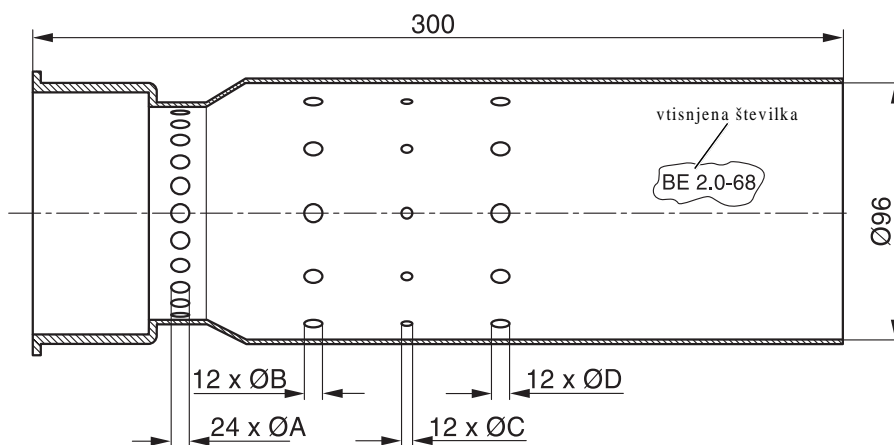
Plamenska cev	ØA[mm]	ØB[mm]
BE 2.0 – 34	5,5	4,3
BE 2.0 – 45 G	6,2	5,3

Sl. 3



Plamenska cev	ØA[mm]	ØB[mm]	ØC[mm]	L[mm]
BE 1.0 – 17/2	2,5	2,0	–	260
BE 1.0 – 21/2	3,0	2,0	–	260
BE 1.0 – 28/2	4,5	4,3	–	242
BE 2.0 – 43 S	7,0	6,0	6 x 6,0	260
BE 2.0 – 55 G	7,0	4,6	6 x 6,0	260
BE 2.0 – 55 S	7,0	7,0	12 x 7,0	260

Sl. 4



Plamenska cev	ØA[mm]	ØB[mm]	ØC[mm]	ØD[mm]
BE 2.0 – 68	5,9	6,3	3,0	7,5

Pridržujemo si pravico do tehničnih izboljšav!